



(Address 1) 80 Little Falls Rd. Fairfield NJ 07004 USA  
 (Address 2) 4216 N. Pecos Rd, Ste. 104 Las Vegas, NV 89115  
 Tel: 800-722-0501 Fax: (973)575-5160  
 www.acudor.com email: info@acudor.com

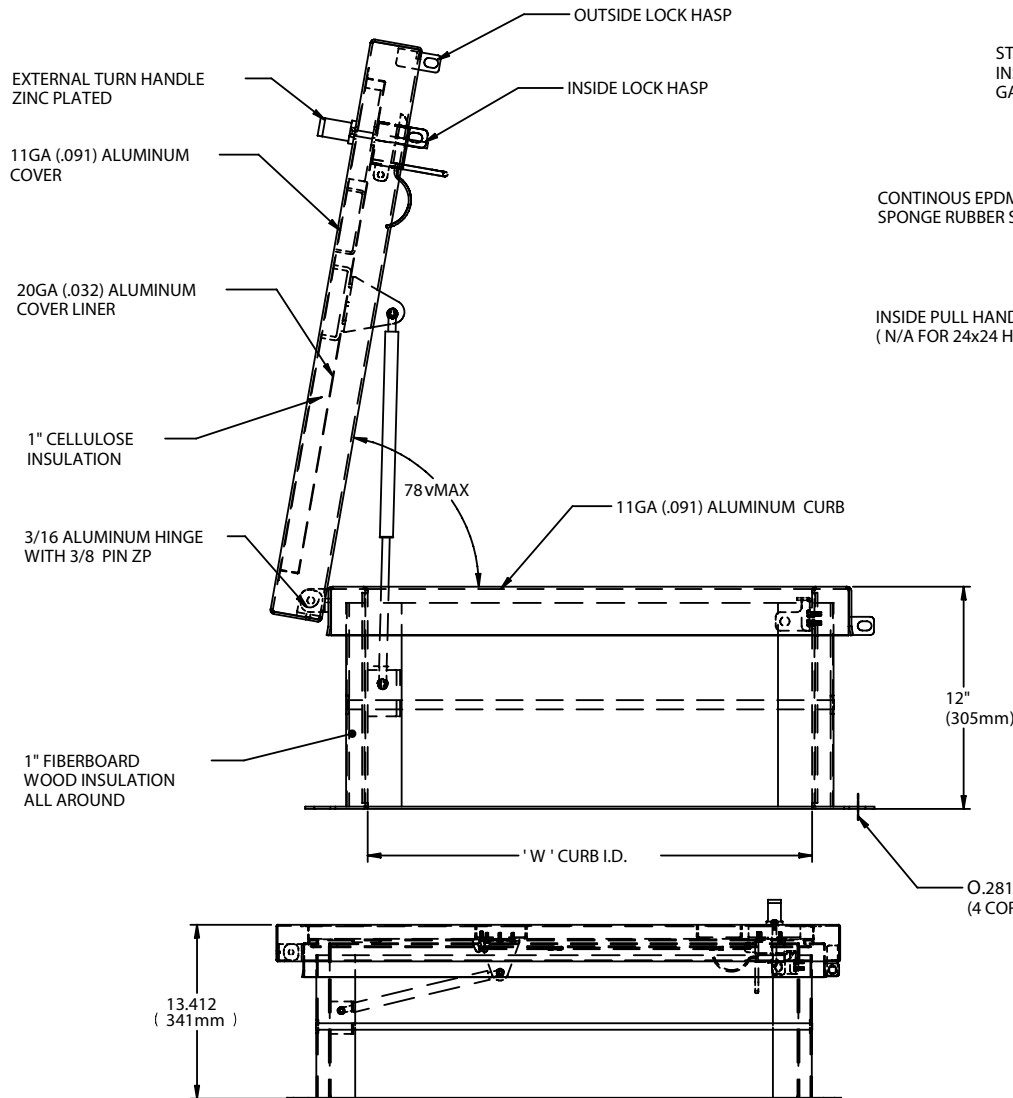
| QTY | OPENING WIDTH "W" | OPENING LENGTH "L" | QTY | OPENING WIDTH "W" | OPENING LENGTH "L" |
|-----|-------------------|--------------------|-----|-------------------|--------------------|
|     | 36" (601mm)       | 24" (914mm)        |     |                   |                    |
|     | 30" (762mm)       | 30" (762mm)        |     |                   |                    |
|     | 36" (762mm)       | 30" (914mm)        |     |                   |                    |
|     | 36" (914mm)       | 36" (914mm)        |     |                   |                    |

## LADDER ACCESS ROOF HATCH ALUMINUM

ASSEMBLY NOTE:  
 UNIT SHALL BE COMPLETELY ASSEMBLED AS SHOWN  
 AND SUPPLIED TO JOB READY FOR INSTALLATION

UNIT IS HINGED ON THE SHORT SIDE

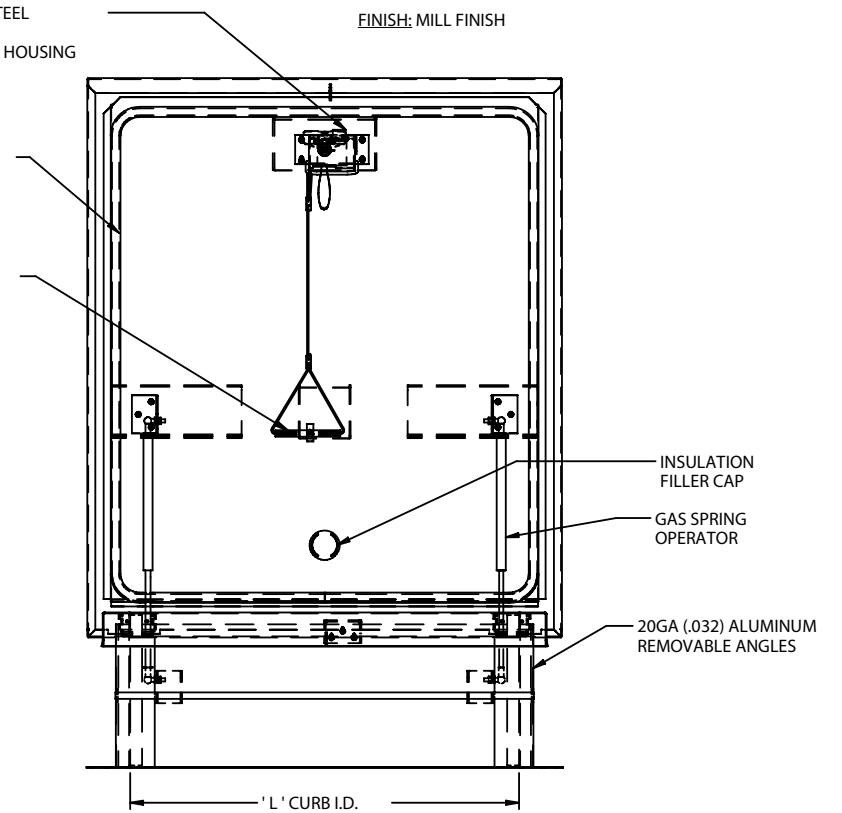
FINISH: MILL FINISH



STAINLESS STEEL  
 INSIDE LOCK  
 GALVANIZED HOUSING

CONTINUOUS EPDM BLACK  
 SPONGE RUBBER SEAL

INSIDE PULL HANDLE  
 (N/A FOR 24x24 HATCHES)



JOB NAME:

APPROVED BY:

CUSTOMER:

DATE:

COPYRIGHT © 2014 ACUDOR ACCESS DOORS AND ACUDOR PRODUCTS INC. ALL RIGHTS RESERVED