



(Address 1) 80 Little Falls Rd. Fairfield NJ 07004 USA
 (Address 2) 4216 N. Pecos Rd, Ste. 104 Las Vegas, NV 89115
 Tel: 800-722-0501 Fax: (973)575-5160
 www.acudor.com email: info@acudor.com

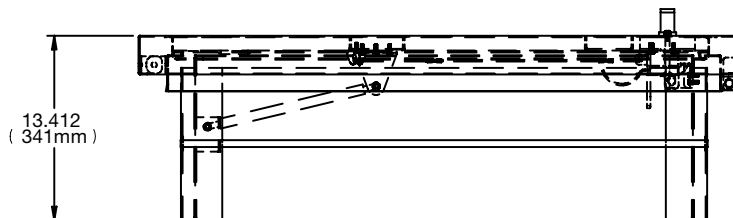
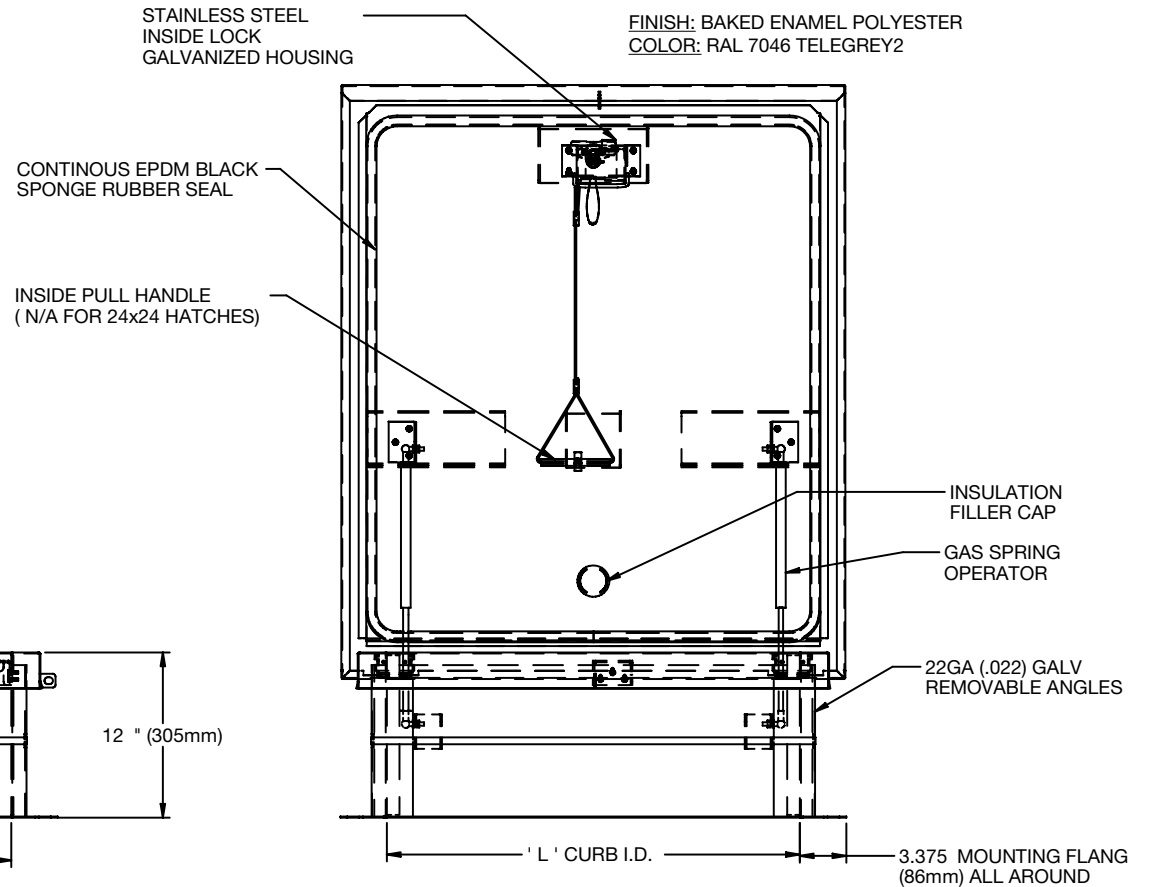
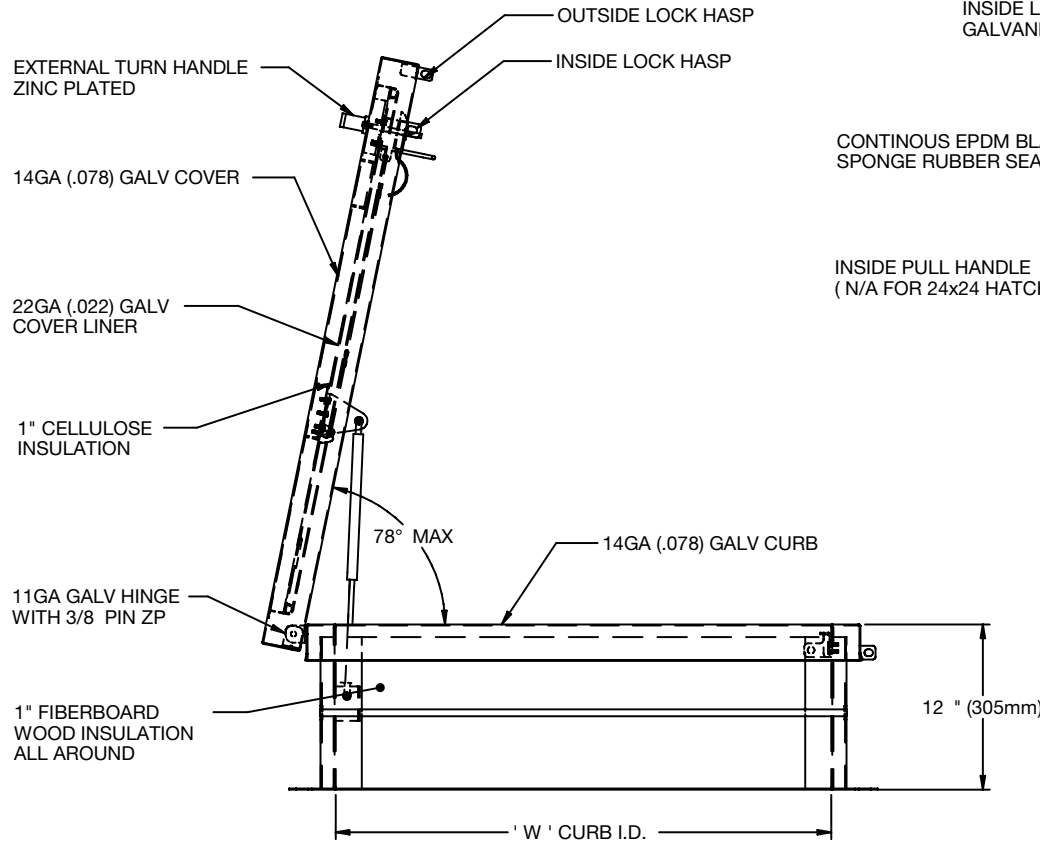
QTY	OPENING WIDTH "W"	OPENING LENGTH "L"	QTY	OPENING WIDTH "W"	OPENING LENGTH "L"
	24" (601mm)	24" (601mm)		36" (914mm)	36" (914mm)
	36" (601mm)	24" (914mm)			
	30" (762mm)	30" (762mm)			
	36" (762mm)	30" (914mm)			

LADDER ACCESS ROOF HATCH GALVANIZED

ASSEMBLY NOTE:
 UNIT SHALL BE COMPLETELY ASSEMBLED AS SHOWN
 AND SUPPLIED TO JOB READY FOR INSTALLATION

UNIT IS HINGED ON THE SHORT SIDE

FINISH: BAKED ENAMEL POLYESTER
COLOR: RAL 7046 TELEGREY2



JOB NAME:

APPROVED BY:

CUSTOMER:

DATE:

COPYRIGHT © 2014 ACUDOR ACCESS DOORS AND ACUDOR PRODUCTS INC. ALL RIGHTS RESERVED